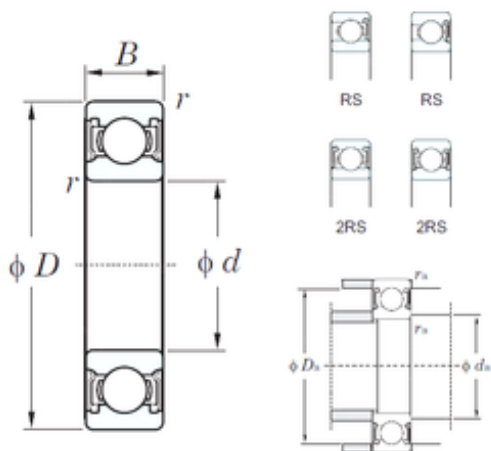




PIE Bearing Technology Co., Ltd



KOYO 6807-2RS deep groove ball bearings

Bearing No. 6807-2RS

Size	35x47x7 mm
Bore Diameter	35 mm
Outer Diameter	47 mm
Width	7 mm
d	35 mm
D	47 mm
B	7 mm
C	7 mm
r min.	0,3 mm
da min.	37 mm
da max	37,5 mm
Da max.	45 mm
ra max.	0,3 mm
Weight	0,03 Kg
Basic dynamic load rating (C)	4,75 kN
Basic static load rating (C0)	3,85 kN
(Grease) Lubrication Speed	7400 r/min

6807-2RS Bearing 2D drawings and 3D CAD models