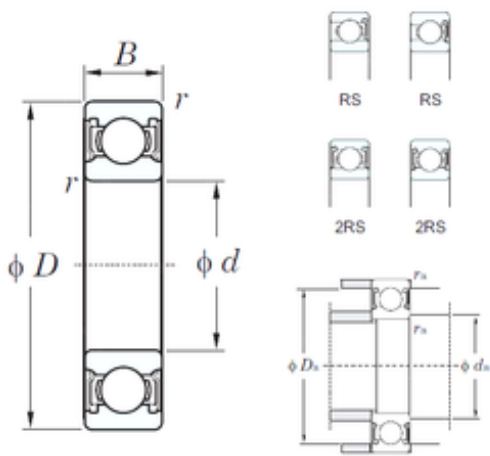




PIE Bearing Technology Co., Ltd



KOYO 6322-2RS deep groove ball bearings

Bearing No. 6322-2RS

Size	110x240x50 mm
Bore Diameter	110 mm
Outer Diameter	240 mm
Width	50 mm
d	110 mm
D	240 mm
B	50 mm
C	50 mm
r min.	3 mm
da min.	123 mm
da max	146,5 mm
Da max.	227 mm
ra max.	2,5 mm
Weight	9,54 Kg
Basic dynamic load rating (C)	205 kN
Basic static load rating (C0)	180 kN
(Grease) Lubrication Speed	1900 r/min

6322-2RS Bearing 2D drawings and 3D CAD models