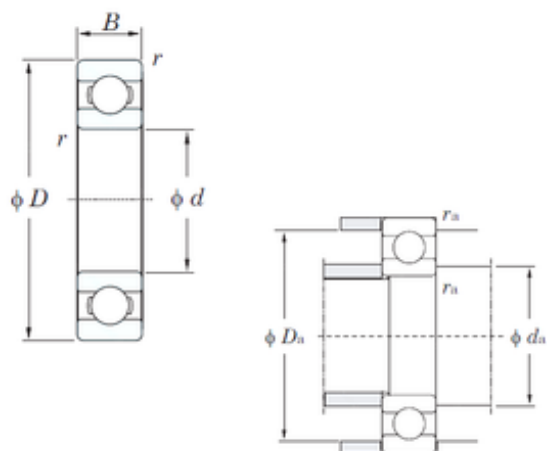




PIE Bearing Technology Co., Ltd



KOYO 6364 deep groove ball bearings

Bearing No. 6364

Size	320x670x112 mm
Bore Diameter	320 mm
Outer Diameter	670 mm
Width	112 mm
d	320 mm
D	670 mm
B	112 mm
C	112 mm
r min.	7,5 mm
da min.	352 mm
Da max.	638 mm
ra max.	6 mm
Weight	207 Kg
Basic dynamic load rating (C)	634 kN
Basic static load rating (C0)	1010 kN
(Grease) Lubrication Speed	720 r/min
(Oil) Lubrication Speed	870 r/min
Bearing No.	6364
r(min)	7.5
Cr	793
C0r	1010
Cu	36.9
f0	14.8
Grease lub.	720
Oil lub.	870
da(min)	352

6364 Bearing 2D drawings and 3D CAD models



PIE Bearing Technology Co., Ltd

Da(max)	638
ra(max)	6
(Refer.)Mass(kg)	207