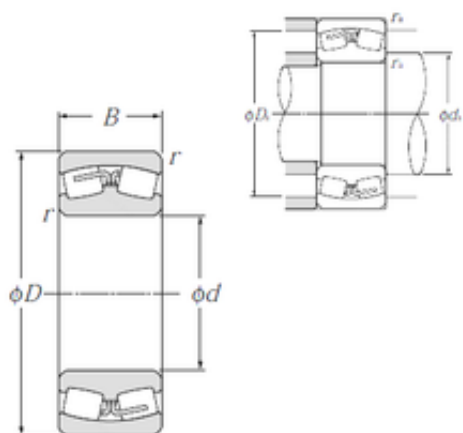




PIE Bearing Technology Co., Ltd

NTN 23956 spherical roller bearings



Bearing No. 23956

Size	280x380x75 mm
Bore Diameter	280 mm
Outer Diameter	380 mm
Width	75 mm
d	280 mm
D	380 mm
B	75 mm
C	75 mm
r min.	2,1 mm
da min.	292 mm
Da max.	368 mm
ra max.	2 mm
Weight	26,4 Kg
Basic dynamic load rating (C)	830 kN
Basic static load rating (C0)	1 750 kN
(Grease) Lubrication Speed	850 r/min
(Oil) Lubrication Speed	1 100 r/min
Calculation factor (e)	0,17
Calculation factor (Y0)	3,79
Calculation factor (Y1)	3,88
Category	Bearings
Inventory	0.0
Manufacturer Name	NTN
Minimum Buy Quantity	N/A
Weight / Kilogram	26.4
EAN	4547359287349

23956 Bearing 2D drawings and 3D CAD models



PIE Bearing Technology Co., Ltd

Product Group	B04311
---------------	--------