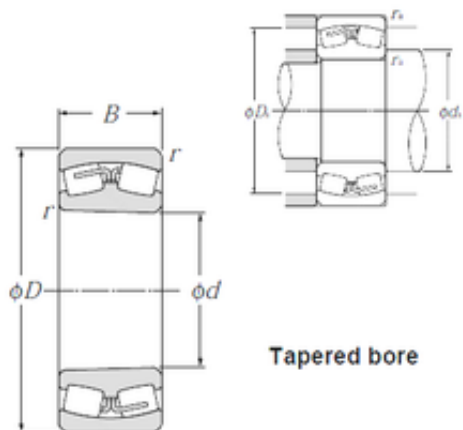




PIE Bearing Technology Co., Ltd

NTN LH-22218BK spherical roller bearings



Bearing No. LH-22218BK

Size	90x160x40 mm
Bore Diameter	90 mm
Outer Diameter	160 mm
Width	40 mm
d	90 mm
D	160 mm
B	40 mm
C	40 mm
r min.	2 mm
da min.	100 mm
Da max.	150 mm
ra max.	2 mm
Weight	3,42 Kg
Basic dynamic load rating (C)	256 kN
Basic static load rating (C0)	345 kN
(Grease) Lubrication Speed	2 700 r/min
(Oil) Lubrication Speed	3 500 r/min
Calculation factor (e)	0,26
Calculation factor (Y0)	2,49
Calculation factor (Y1)	2,55

LH-22218BK Bearing 2D drawings and 3D CAD models