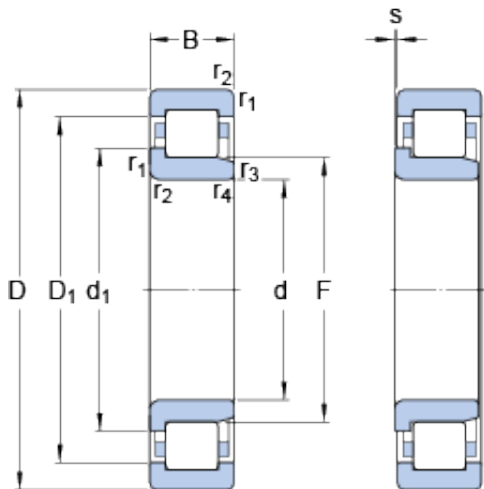




# PIE Bearing Technology Co., Ltd



NJ 207 ECP Bearing 2D drawings and 3D CAD models

## SKF NJ 207 ECP thrust ball bearings

Bearing No. NJ 207 ECP

Size	72x35x17 mm
Bore Diameter	72 mm
Outer Diameter	35 mm
Width	17 mm
d	35 mm
D	72 mm
B	17 mm
d <sub>1</sub>	48.1 mm
D <sub>1</sub>	60.2 mm
F	44 mm
r <sub>1,2</sub> - min.	1.1 mm
r <sub>3,4</sub> - min.	1 mm
s	1.3 mm
d <sub>a</sub> - min.	41.8 mm
d <sub>a</sub> - max.	42.2 mm
d <sub>b</sub> - min.	50 mm
D <sub>a</sub> - max.	65.1 mm
r <sub>a</sub> - max.	1 mm
Basic dynamic load rating - C	56 kN
Basic static load rating - C <sub>0</sub>	48 kN
Fatigue load limit - P <sub>u</sub>	6.1 kN
Reference speed	11000 r/min
Limiting speed	12000 r/min
Calculation factor - k <sub>r</sub>	0.15
Category	Cylindrical Roller Bearings



## PIE Bearing Technology Co., Ltd

Inventory	25.0
Manufacturer Name	SKF
Minimum Buy Quantity	N/A
Weight / Kilogram	0.312
Product Group	B04144
Bore Profile	Straight
Cage Material	Polymer
Precision Class	RBEC 1   ISO P0
Number of Rows of Rollers	Single Row
Separable	Inner Ring - One Side
Rolling Element	Cylindrical Roller Bearing
Profile	Complete with Outer and Inner Ring
Snap Ring	No
Internal Clearance	C0-Medium
Retainer	Yes
Relubricatable	Yes
Inch - Metric	Metric
Other Features	High Capacity   1 Rib Inner Ring   2 Rib Outer Ring   Cage on Outer Ring ID
Long Description	35MM Bore; Straight Bore Profile; 72MM Outside Diameter; 17MM Width; Polymer Cage Material; RBEC 1   ISO P0; Single Row; Inner Ring - One Side Separable; No Snap Ring; Relubricatable; C0-Medium Inter
Category	Cylindrical Roller Bearing
UNSPSC	31171547
Harmonized Tariff Code	8482.50.00.00
Noun	Bearing
Manufacturer URL	<a href="http://www.skf.com">http://www.skf.com</a>
Manufacturer Item Number	NJ 207 ECP



## PIE Bearing Technology Co., Ltd

Weight / LBS	0.687
Bore	1.378 Inch   35 Millimeter
Width	0.669 Inch   17 Millimeter
Outside Diameter	2.835 Inch   72 Millimeter
bore diameter:	35 mm
precision rating:	RBEC 1 (ISO Class Normal)
outside diameter:	72 mm
maximum rpm:	12000 RPM
overall width:	17 mm
bearing material:	Steel
flanges:	(2) Outer Ring, (1) Inner Ring
cage material:	Polyamide
bore type:	Straight
finish/coating:	Uncoated
number of rows:	1
closure type:	Open
internal clearance:	C0
application:	Piston Type Machines, Rolling Mills, Spindles/Machine Tools
ring separation:	Separable Ring
outer ring width:	17 mm
operating temperature range:	Maximum of +300 ° F
fillet radius:	1 mm
dynamic load capacity:	56 kN
series:	NJ2
static load capacity:	48 kN
d <sub>1</sub>	48.1 mm
D <sub>1</sub>	60.2 mm
r <sub>1,2</sub> min.	1.1 mm
r <sub>3,4</sub> min.	0.6 mm



## PIE Bearing Technology Co., Ltd

s max.	1.3 mm
d <sub>a</sub> min.	41.8 mm
d <sub>a</sub> max.	42.2 mm
d <sub>b</sub> min.	50 mm
D <sub>a</sub> max.	65.1 mm
r <sub>a</sub> max.	1 mm
Basic dynamic load rating C	56 kN
Basic static load rating C <sub>0</sub>	48 kN
Fatigue load limit P <sub>u</sub>	6.1 kN
Calculation factor k <sub>r</sub>	0.15
Limiting value e	0.2
Axial load factor Y	0.6
Mass bearing	0.3 kg