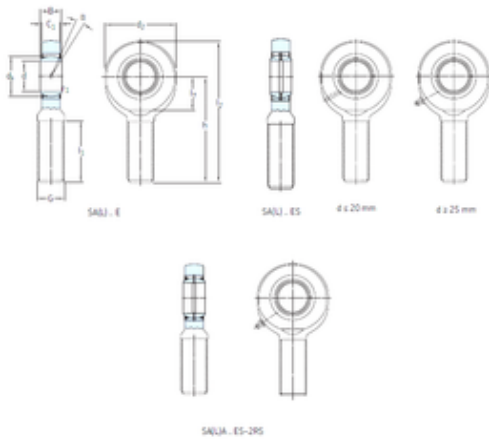




PIE Bearing Technology Co., Ltd



SKF SALA80ES-2RS plain bearings

Bearing No. SALA80ES-2RS

Bore Diameter	80 mm
d	80 mm
d2	182 mm
dk	105 mm
h	270 mm
l1 min.	140 mm
l2 max.	364 mm
l7 min.	98 mm
r1 min.	1 mm
B	55 mm
C1	48 mm
Thread (G)	M64x4 Tolerance 6g
Angle	5 °
Weight	12 Kg
Basic dynamic load rating (C)	400 kN

SALA80ES-2RS Bearing 2D drawings and 3D CAD models