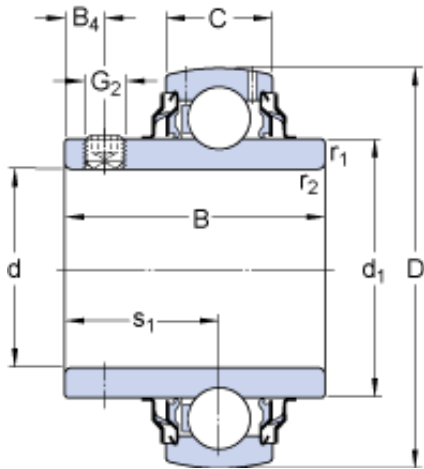




PIE Bearing Technology Co., Ltd



YAR 205-2RF Bearing 2D drawings and 3D CAD models

SKF YAR 205-2RF deep groove ball bearings

Bearing No. YAR 205-2RF

Size	52x25x34.1 mm
Bore Diameter	52 mm
Outer Diameter	25 mm
Width	34,1 mm
d	25 mm
D	52 mm
B	34.1 mm
C	15 mm
d ₁	33.74 mm
B ₄	5 mm
r _{1,2} - min.	0.6 mm
s ₁	19.8 mm
Basic dynamic load rating - C	14 kN
Basic static load rating - C ₀	7.8 kN
Fatigue load limit - P _u	0.335 kN
Limiting speed with shaft tolerance h6	4300 r/min
Calculation factor - f ₀	14
Mass bearing	0.17 kg
Thread - G ₂	M6x0.75
Hexagonal key size for grub screw - H	3 mm
Category	Insert Bearings Spherical OD
Inventory	0.0



PIE Bearing Technology Co., Ltd

Manufacturer Name	SKF
Minimum Buy Quantity	N/A
Weight / Kilogram	0.17
Product Group	M06110
Inner Race Profile	Wide Inner Ring
Outer Race Profile	Spherical
Relubricatable	Yes
Seal Type	Multi Function Seal
Mounting Method	Set Screw
Rolling Element	Ball Bearing
Snap Ring	No
Long Description	25MM Bore; Wide Inner Ring; Ball Bearing; 34.1MM Length Thru Bore; 15MM Outer Race Width; 52MM Outside Diameter; Relubricatable; Multi Function Seal Seal; Set Screw Mounting Method; No Snap Ring
Inch - Metric	Metric
Other Features	Single Row Standard Duty Grub Screw Has Flinger Metric
Category	Insert Bearings
UNSPSC	31171536
Harmonized Tariff Code	8482.10.50.00
Noun	Bearing
Keyword String	Insert
Manufacturer URL	http://www.skf.com
Manufacturer Item Number	YAR 205-2RF
Weight / LBS	0.375
Length Thru Bore	1.343 Inch 34.1 Millimeter
Bore	0.984 Inch 25 Millimeter
Outer Race Width	0.591 Inch 15 Millimeter



PIE Bearing Technology Co., Ltd

Outside Diameter	2.047 Inch 52 Millimeter
bore diameter:	25 mm
radial dynamic load capacity:	3147 lbf
outside diameter:	52 mm
radial static load capacity:	1754 lbf
outer ring width:	15 mm
maximum rpm:	4300 rpm
inner ring width:	34.1 mm
seal type:	Contact Seal,NBR, Rubberized Flinger on Both sides
bore type:	Round
manufacturer product page:	Click here
locking device:	Set Screw
manufacturer upc number:	7316571082790
overall width:	34.1 mm
d_1	33.74 mm
B_4	5 mm
$r_{1,2}$ min.	0.6 mm
s_1	19.8 mm
Basic dynamic load rating C	14 kN
Basic static load rating C_0	7.8 kN
Fatigue load limit P_u	0.335 kN
Limiting speed ¹⁾	4300 r/min
Calculation factor f_0	14
Mass complete bearing	0.19 kg
Thread grub screw G_2	M6x0.75
Hexagonal key size for grub screw N	3 mm
Recommended tightening torque for grub screw	4 N · m