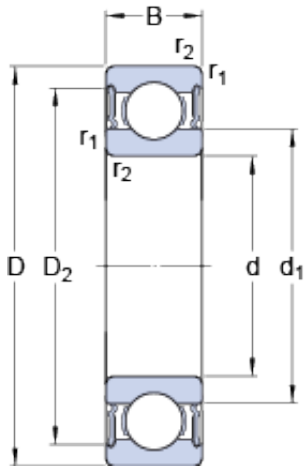




PIE Bearing Technology Co., Ltd



62205-2RS1 Bearing 2D drawings and 3D CAD models

SKF 62205-2RS1 deep groove ball bearings

Bearing No. 62205-2RS1

Size	52x25x18 mm
Bore Diameter	52 mm
Outer Diameter	25 mm
Width	18 mm
d	25 mm
D	52 mm
B	18 mm
d ₁	34.4 mm
D ₂	46.21 mm
r _{1,2} - min.	1 mm
d _a - min.	30.6 mm
d _a - max.	34.3 mm
D _a - max.	46.4 mm
r _a - max.	1 mm
Basic dynamic load rating - C	14 kN
Basic static load rating - C ₀	7.8 kN
Fatigue load limit - P _u	0.335 kN
Limiting speed	8500 r/min
Calculation factor - k _r	0.025
Calculation factor - f ₀	14
Category	Single Row Ball Bearings
Inventory	0.0
Manufacturer Name	SKF
Minimum Buy Quantity	N/A
Weight / Kilogram	0.163



PIE Bearing Technology Co., Ltd

EAN	7316570020922
Product Group	B00308
Enclosure	2 Seals
Precision Class	ABEC 1 ISO P0
Maximum Capacity / Filling Slot	No
Rolling Element	Ball Bearing
Snap Ring	No
Internal Special Features	No
Cage Material	Steel
Enclosure Type	Contact Seal
Internal Clearance	C0-Medium
Inch - Metric	Metric
Long Description	25MM Bore; 52MM Outside Diameter; 18MM Outer Race Diameter; 2 Seals; Ball Bearing; ABEC 1 ISO P0; No Filling Slot; No Snap Ring; No Internal Special Features
Other Features	Cartridge Bearing
Category	Single Row Ball Bearing
UNSPSC	31171504
Harmonized Tariff Code	8482.10.50.68
Noun	Bearing
Keyword String	Ball
Manufacturer URL	http://www.skf.com
Manufacturer Item Number	62205-2RS1
Weight / LBS	0.356
Outer Race Width	0.709 Inch 18 Millimeter
Bore	0.984 Inch 25 Millimeter
Outside Diameter	2.047 Inch 52 Millimeter
bore diameter:	25 mm
static load capacity:	7.8 kN



PIE Bearing Technology Co., Ltd

outside diameter:	52 mm
precision rating:	Not Rated
overall width:	18 mm
finish/coating:	Uncoated
bore type:	Round
cage material:	Steel
closure type:	Double Sealed
outer ring width:	18 mm
row type & fill slot:	Single Row Non-Fill Slot
fillet radius:	1 mm
internal clearance:	C0
maximum rpm:	8500 RPM
operating temperature range:	-40 to +210 ° F
series:	62
dynamic load capacity:	14 kN
d_1	34.35 mm
D_2	46.21 mm
$r_{1,2}$ min.	1 mm
d_a min.	30.6 mm
d_a max.	34.3 mm
D_a max.	46.4 mm
r_a max.	1 mm
Basic dynamic load rating C	14 kN
Basic static load rating C_0	7.8 kN
Fatigue load limit P_u	0.335 kN
Calculation factor k_r	0.025
Calculation factor f_0	14
Mass bearing	0.13 kg