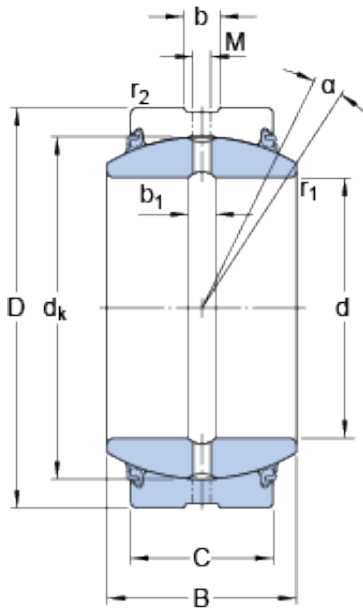




PIE Bearing Technology Co., Ltd

SKF GEZ 112 ES-2LS plain bearings

Bearing No. GEZ 112 ES-2LS



GEZ 112 ES-2LS Bearing 2D drawings and 3D CAD models

Size	71.438x44.45x38.887 mm
Bore Diameter	71,438 mm
Outer Diameter	44,45 mm
Width	38,887 mm
d	44.45 mm
D	71.438 mm
B	38.887 mm
C	33.325 mm
	6 °
d _k	63.881 mm
b	4.8 mm
b ₁	5 mm
M	4 mm
r ₁ - min.	0.6 mm
r ₂ - min.	1 mm
d _a - min.	48.5 mm
d _a - max.	50.7 mm
D _a - min.	61.3 mm
D _a - max.	67.4 mm
r _a - max.	0.6 mm
r _b - max.	1 mm
Basic dynamic load rating - C	170 kN
Basic static load rating - C ₀	510 kN
Specific factor dinamic load - K	100 N/mm ²



PIE Bearing Technology Co., Ltd

Specific factor static load - K_0	300 N/mm ²
Constant - K_M	330
Size	44.45x71.438x38.887 mm
Bore Diameter	44,45 mm
Outer Diameter	71,438 mm
Width	38,887 mm
d	44.45 mm
D	71.438 mm
B	38.887 mm
C	33.325 mm
	6 °
d_k	63.881 mm
b	4.8 mm
b_1	5 mm
M	4 mm
r_1 - min.	0.6 mm
r_2 - min.	1 mm
d_a - min.	48.5 mm
d_a - max.	50.7 mm
D_a - min.	61.3 mm
D_a - max.	67.4 mm
r_a - max.	0.6 mm
r_b - max.	1 mm
Basic dynamic load rating - C	170 kN
Basic static load rating - C_0	510 kN
Specific factor dinamic load - K	100 N/mm ²
Specific factor static load - K_0	300 N/mm ²
Constant - K_M	330



PIE Bearing Technology Co., Ltd

Lubricant	Regular relubrication – grease
Design (sliding contact surface combination)	Steel/steel
Sealing solution	Triple-lip seals
	6 °
d_k	63.881 mm
b_1	5 mm
r_1 min.	0.6 mm
r_2 min.	1 mm
d_a min.	48.5 mm
d_a max.	50.7 mm
D_a min.	61.3 mm
D_a max.	67.4 mm
r_a max.	0.6 mm
r_b max.	1 mm
Basic dynamic load rating C	170 kN
Basic static load rating C_0	510 kN
Specific dynamic load factor K	100 N/mm ²
Specific static load factor K_0	300 N/mm ²
Material constant K_M	330
Mass plain bearing	0.64 kg