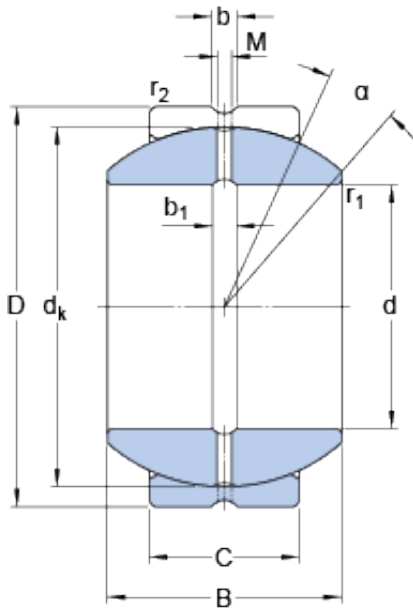




PIE Bearing Technology Co., Ltd

SKF GEZH 308 ES plain bearings

Bearing No. GEZH 308 ES



GEZH 308 ES Bearing 2D drawings and 3D CAD models

Size	149.225x88.9x90.424 mm
Bore Diameter	149,225 mm
Outer Diameter	88,9 mm
Width	90,424 mm
d	88.9 mm
D	149.225 mm
B	90.424 mm
C	71.425 mm
	9 °
d _k	136.906 mm
b	10.5 mm
b ₁	8 mm
M	6.5 mm
r ₁ - min.	2 mm
r ₂ - min.	1 mm
d _a - min.	99.3 mm
d _a - max.	102.5 mm
D _a - min.	130.1 mm
D _a - max.	143.1 mm
r _a - max.	2 mm
r _b - max.	1 mm
Basic dynamic load rating - C	780 kN
Basic static load rating - C ₀	2360 kN
Specific factor dinamic load - K	100 N/mm ²



PIE Bearing Technology Co., Ltd

Specific factor static load - K_0	300 N/mm ²
Constant - K_M	330
Size	88.9x149.225x90.424 mm
Bore Diameter	88,9 mm
Outer Diameter	149,225 mm
Width	90,424 mm
d	88.9 mm
D	149.225 mm
B	90.424 mm
C	71.425 mm
	9 °
d_k	136.906 mm
b	10.5 mm
b_1	8 mm
M	6.5 mm
r_1 - min.	2 mm
r_2 - min.	1 mm
d_a - min.	99.3 mm
d_a - max.	102.5 mm
D_a - min.	130.1 mm
D_a - max.	143.1 mm
r_a - max.	2 mm
r_b - max.	1 mm
Basic dynamic load rating - C	780 kN
Basic static load rating - C_0	2360 kN
Specific factor dynamic load - K	100 N/mm ²
Specific factor static load - K_0	300 N/mm ²
Constant - K_M	330



PIE Bearing Technology Co., Ltd

Lubricant	Regular relubrication – grease
Design (sliding contact surface combination)	Steel/steel
Sealing solution	-
	9 °
d_k	136.906 mm
b_1	8 mm
r_1 min.	2 mm
r_2 min.	1 mm
d_a min.	99.3 mm
d_a max.	102.5 mm
D_a min.	130.1 mm
D_a max.	143.1 mm
r_a max.	2 mm
r_b max.	1 mm
Basic dynamic load rating C	780 kN
Basic static load rating C_0	2360 kN
Specific dynamic load factor K	100 N/mm ²
Specific static load factor K_0	300 N/mm ²
Material constant K_M	330
Mass plain bearing	6.8 kg