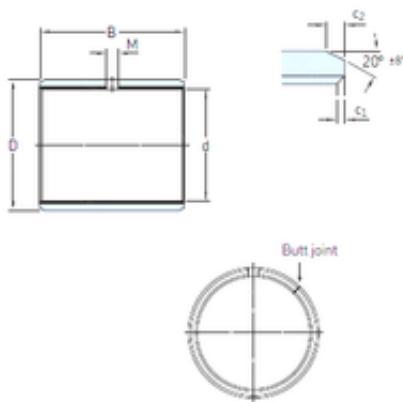




PIE Bearing Technology Co., Ltd

SKF PCZ 3640 E plain bearings



Bearing No. PCZ 3640 E

Size	57.15x61.913x63.5 mm
Bore Diameter	57,15 mm
Outer Diameter	61,913 mm
Width	63,5 mm
d	57,15 mm
D	61,913 mm
B	63,5 mm
c1 min	0,2 mm
c2 min	1,2 mm
M	– mm
Weight	0,215 Kg
Basic dynamic load rating (C)	285 kN
c ₁ min.	0.2 mm
c ₁ max.	1 mm
c ₂ min.	1.2 mm
c ₂ max.	2.4 mm
± 8	20 °
Shaft diameter range min.	57.122 mm
Shaft diameter range max.	57.168 mm
Housing bore range min.	61.887 mm
Housing bore range max.	61.918 mm
Basic dynamic load rating - radial direction C	285 kN
Basic static load rating - radial direction C ₀	900 kN
Specific dynamic load factor	80 N/mm ²

PCZ 3640 E Bearing 2D drawings and 3D CAD models



PIE Bearing Technology Co., Ltd

K	
Specific static load factor K_0	250 N/mm ²
Factor depending on material and bearing type K_M	480
Permissible sliding velocity v min.	0 m/s
Permissible sliding velocity v max.	2 m/s
Coefficient of friction μ min.	0.03
Coefficient of friction μ max.	0.25
Mass bushing	0.21 kg